

SKID MOUNTED INLINE GRINDER



A PLUG-IN AND GRIND SOLUTION

for Tank Bottom Cleaning and Solids Control Operations

3-HYDRO-IX Grinders

The 3-HYDRO-IX excels in wet applications. It's a powerful grinder that easily reduces troublesome solids, including rocks and other debris.

Protect your expensive centrifuge or other downstream equipment, reducing your maintenance costs. Its skid design with plug and grind cable allows you to quickly install and use the system.

Benefits

- Lengthen life of centrifuges.
- Reduce centrifuge maintenance cost.
- Increase capacity.

Features

- 6" inline grinder.
- Explosion proof 5hp motor and controller (NEMA 7 UL Certified).
- Plug and Grind - pre-wired with 40ft pigtail.
- Portable (Fork Lift & Lifting Lug on Top).
- Thousands of successful installations world wide.



Contact Us Today For More Details

toll free: 800.331.2277 | phone: 949.833.3888 | email: jwce@jwce.com | web: www.jwce.com

Mechanical Seal Cartridge

Provides liquid protection of the shaft bearings for up to 90PSI (6 bar). No lubrication or flush water is required. The seal is used with the Hydro series, pressurized pipe line or channel applications.

Motors

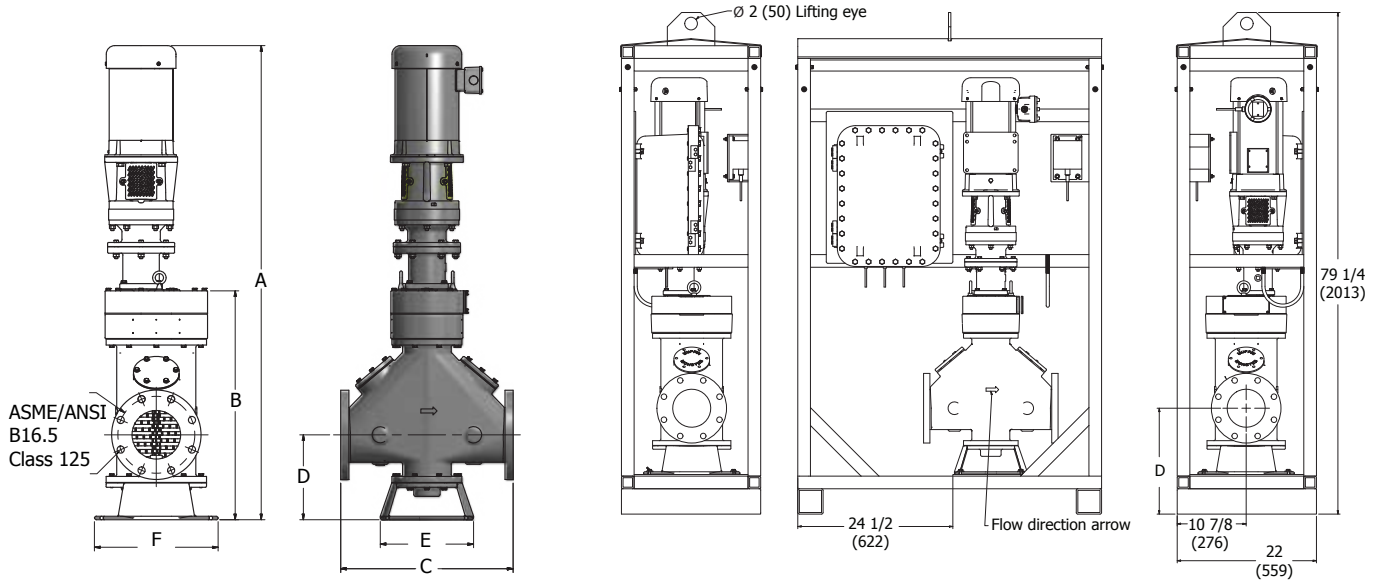
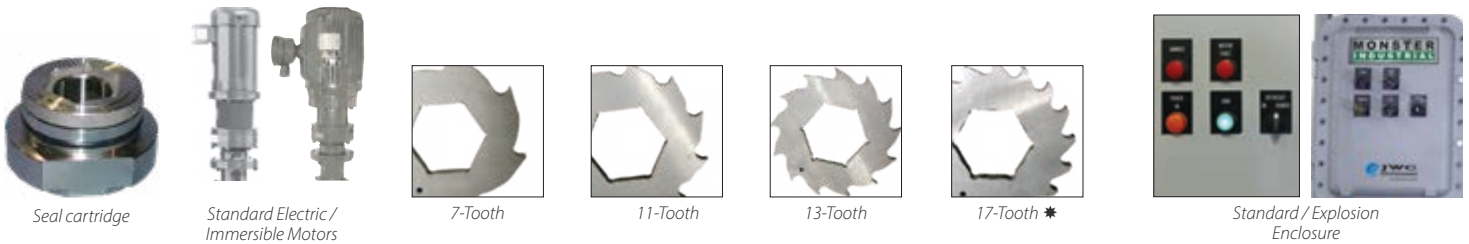
- TEFC: Totally enclosed fan cooled electric.
- XPFC: Explosion proof fan cooled electric.
- XPNV: Exclusive electric immersible.

Cutters

- 3, 7, 11, 13, and 23 tooth options.
- * 17-Tooth Serrated Wipes Ready™ Cutter.
(Only available on 1, 3-Hydro-“IX” & -“C” models)

Smart Controllers

- Load sensing control system automatically reverse to clear jams.
- Standard: NEMA-4X FRP enclosure with 3-position switch and status indicators.
- Optional: NEMA 4X stainless steel or NEMA 7 enclosures.
- Customized control configurations for any installation.
- UL and ULc registered.



IN-LINE Model	Flow Rate gpm (m ³ /hr)*	Pressure Drop psi (bar)	Standard Dimensions inches (mm)						Pipeline Size inches (mm)	Approximate Net Weight lbs (kg)****
			A	B	C	D	E	F		
3-HYDRO-IX-1204***	450 (102)	0.52 (0.04)	58-1/8 (1476) ²	28-1/4 (718)	19-1/4 (489)	9-3/8 (238)	11-1/2 (292)	15-1/4 (387)	4 (100)	550 (250)
3-HYDRO-IX-1206***	700 (159)	1.23 (0.08)	58-1/8 (1476) ²	28-1/4 (718)	21-1/4 (540)	10-3/8 (264)	11-1/2 (292)	15-1/4 (387)	6 (150)	560 (254)
3-HYDRO-IX-1208***	1100 (250)	3.00 (0.21)	58-1/8 (1476) ²	28-1/4 (718)	23-1/4 (591)	11-1/4 (238)	11-1/2 (292)	15-1/4 (387)	8 (200)	570 (259)

Notes: * 0-2% solids. ** Available with Scrapers. *** Easy to Remove Cartridges. **** Weight includes grinder & motor only.

• In-Line unit typically installed prior to suction side of pump. • Consult factory for final analysis of application.

1. Drive dimensions are a maximum based on a unit with a 3 HP (2.2 kW) drive. | 2. Drive dimensions are a maximum based on a unit with a 5 HP (3.7 kW) drive.



www.jwce.com