

SHP Series Sidehill Pressure Screens

SHP Series Pressure Screens utilize a fixed, curved, wedgewire screen surface positioned at a steep angle. The screen surface used for the SHP is wedgewire with slots oriented across the direction of flow. This unique wedgewire construction provides for an effective stripping of liquid, facilitating solids removal of particles in the 0.002" to 0.006" (0.05 mm to 0.15 mm) range, and helps prevent blinding or plugging of the screen openings.

Method of Operation

Pressurized, incoming feed from 5 to 15 psi (0.34 to 1.03 bar) is pumped into a header manifold. The slurry is directed onto the specially curved screen at a tangent. Separated solids move tangentially, downward on the surface of the screen to the discharge outlet. Liquid and finer solids pass through the screen and are discharged via the outlet.

The velocity of incoming material, combined with the shearing action of the screen, produces a positive separation of the material. Slot feed design prevents plugging by fibrous materials, and an oscillating shower, applied intermittently, insures the screen slots remain clean.

Hydraulic Capacity

300 to 600 gpm (68 to 136 m³/hr) per single unit, depending on application.

Flow Capacity

The most important variables to be considered when determining flow capacity of each screen model are screen slot opening, solids concentration and solids characteristics.



Features

Simple but Proven Design

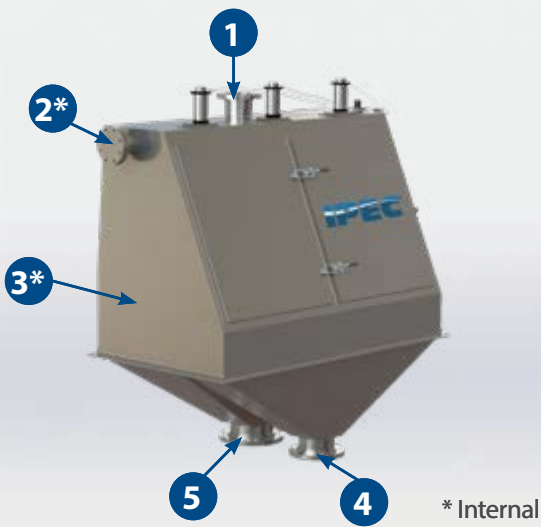
- Efficiently separates solids from liquids
- Slot-feed design prevents plugging

High capture rate

- Fine screen openings with pressurized incoming feed
- Allows selected recovery of larger solids

Applications

- Chemical processing
 - Fiberglass recovery
 - Synthetic fiber recovery
- Wet milling
 - Starch recovery



Pressure Sidehill Screen Operation

1. Pressurized incoming feed
2. Header manifold
3. Wedgewire screen
4. Discharge outlet - captured solids
5. Discharge outlet - effluent

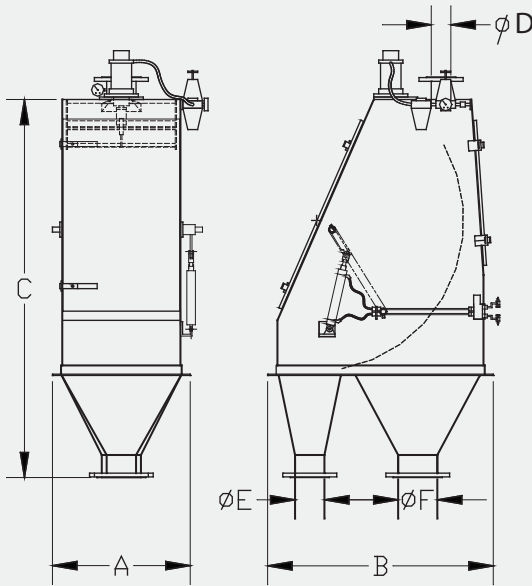
* Internal

Standard Construction

- 304 stainless steel construction
- Pneumatic, oscillating spray system
- Automatic timer
- Enclosure
- Easily changed-out screens
- Access doors
- Adjustable header opening

Options

- 316 stainless steel



| Models | Dimensions - inches (mm) | | | | | |
|----------------------|--------------------------|-----------|-------------|---------|---------|----------|
| | A | B | C | D | E | F |
| SHP 24 - Single Unit | 29 (737) | 46 (1168) | 80 (2032) | 3 (76) | 6 (152) | 8 (203) |
| SHP 48 - Double Unit | 54.5 (1384) | 46 (1168) | 84.5 (2146) | 6 (152) | 8 (203) | 10 (254) |
| SHP 72 - Triple Unit | 74.5 (1892) | 46 (1168) | 84.5 (2146) | 6 (152) | 8 (203) | 10 (254) |



Headquarters
 2850 Red Hill Ave., Suite 125
 Santa Ana, CA 92705 USA
 toll free: **800.331.2277**
 phone: **949.833.3888**
 fax: **949.833.8858**
 email: **jwce@jwce.com**



www.jwce.com