



MONSTER DRUM THICKENER

IFT Series



The IFT Series of drum thickeners offers best-in-class performance for sludge wastewater treatment. This sludge dewatering equipment is designed for achieving 5 to 12% solids depending on the type of sludge. The unit can handle solids loading up to 1900 lbs/hr (862 kg/hr) of WAS and 2850 lbs/hr (1293 kg/hr) for primary sludge, depending on the amount of solids content. The Monster Drum Thickener is designed to minimize operating costs while provide superior overall results.

JWC's Monster Drum Thickener utilizes woven wire mesh for the construction of the sludge thickener screening panels. The woven wire mesh panel construction allows for capture rates in excess of 98% which is some of the highest available for sludge dewatering equipment. This performance translates to much lower polymer usage compared to other sludge dewatering equipment that utilizes perforated plates or wedgewire drums. The woven wire mesh screening media is constructed as individual panels which can be easily removed from the frame of the sludge thickener's rotary drum. This feature allows for a simple exchange of screening panels without having to replace a full drum if the panels are damaged or conditions change.

For sludge wastewater treatment systems, the faster the sludge floc structure is established and brought into the sludge thickener, the more efficient the system can run. JWC has designed the Monster Drum Thickener to require an incredibly short dwell time in the flocculation tank to achieve the required floc structure. This means the unit will use less polymer and require a smaller tank compared to other rotary drum sludge dewatering equipment.

The Monster Drum Thickener system is fully enclosed to collect filtrate water and easily connect to a plant's odor control systems. This leads to a much cleaner and less odorous work environment when compared to other sludge thickening technologies like belt presses.

Features

Fast flocculation design

- Low polymer usage
- Small flocculation tank

Design and construction flexibility

- Removable sectional panels for effortless repair of damage or to address changes in sludge condition
- Screening media, inlet and outlet points, leg and drive placements can all be easily customized to fit a specific application

All stainless steel construction

- Includes all wetted surfaces as well as drive chains, sprockets and support frames
- Fully enclosed design for better odor control and cleaner operation



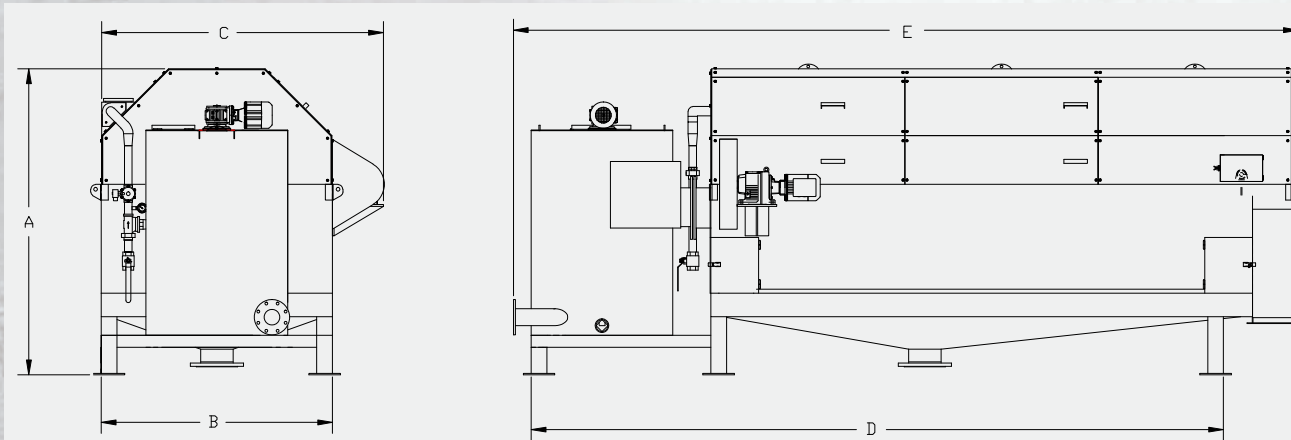
www.jwce.com

Standard Construction

- 304 stainless steel construction
- Easily replaceable woven mesh panels
- Unitary body
- Draining (filtrate) pan
- Solids chute
- TEFC motor and gear drive
- Stainless steel drive roller chain
- UHMW shaft-mounted trunnions
- External spray bar
- Polymer mixing tank with agitator
- Frame support for screen and tank

Options

- 316 stainless steel construction
- Wedgewire or perforated plate panels
- Full support base
- Control panel
- VFD
- Internal spray bar



IFT Model	Standard Dimensions - inches (mm)					Approximate Net Weight - lbs (kg)
	A	B	C	D	E	
IFT 3648	65 (1651)	46-3/4 (1187)	58-1/2 (1486)	92-1/4 (2343)	114 (2896)	2000 (907)
IFT 3672	65 (1651)	46-3/4 (1187)	58-1/2 (1486)	116-1/4 (2953)	138 (3505)	2400 (1089)
IFT 3696	65 (1651)	46-3/4 (1187)	58-1/2 (1486)	140-1/4 (3562)	162 (4115)	2900 (1315)
IFT 4872	77-3/4 (1975)	58-3/4 (1492)	71-3/4 (1822)	128 (3251)	147 (3734)	3000 (1361)
IFT 4896	77-3/4 (1975)	58-3/4 (1492)	71-3/4 (1822)	152 (3861)	171 (4343)	3500 (1588)
IFT 48120	77-3/4 (1975)	58-3/4 (1492)	71-3/4 (1822)	176 (4470)	195 (4953)	3900 (1769)
IFT 6096	94-3/4 (2407)	71 (1803)	84 (2134)	166-3/4 (4235)	186 (4724)	4800 (2177)
IFT 60120	94-3/4 (2407)	71 (1803)	84 (2134)	190.75 (4845)	210 (5334)	5400 (2449)
IFT 60144	94-3/4 (2407)	71 (1803)	84 (2134)	214-3/4 (5455)	234 (5944)	5800 (2631)

This chart is only to be used as a guide. For specific sizing inquiries please contact JWC Environmental. Not all models shown.

MODEL CODE
IFT XX XX
Drum Diameter Inches Drum Length Inches



Headquarters
2850 Red Hill Ave., Suite 125
Santa Ana, CA 92705 USA
toll free: **800.331.2277**
phone: **949.833.3888**
fax: **949.833.8858**
email: **juce@juce.com**



www.juce.com