

## IFS Internally Fed Rotary Screens



The IFS Series of internally-fed rotary drum screens for industrial wastewater applications is designed to provide superior solids recovery from waste streams. The IFS is the most versatile unit and is applied on high flows with heavy solids loading. The IFS Series can handle flows from 105 to 6500 gpm (24 to 1,476 m<sup>3</sup>/hr) dependent on screen design selected.

The IFS Series is constructed of an all stainless steel base. The IFS features a modular design, with components bolted to a heavy duty base structure. The screen cylinder can be wedgewire, perforated plate or fine mesh. The cylinder rotates horizontally on four trunnion wheels and is driven by a TEFC gearmotor and corrosion resistant chain and sprocket arrangement.

### METHOD OF OPERATION

The influent enters a headbox, where the energy is dissipated and the flow is evenly distributed onto the interior of the rotary screening drum. Solids are retained on the screen surface while the liquid flows radially out through the screen openings. Screened solids are transported axially, by internal flights, to the open end of the rotary drum screen. The entire screening surface is intermittently washed by a fixed external spray bar.

### Features

#### All Stainless Steel Construction

- Includes all wetted surfaces and base.
- Robust construction reduces down-time and maintenance costs.

#### Design and Construction Flexibility

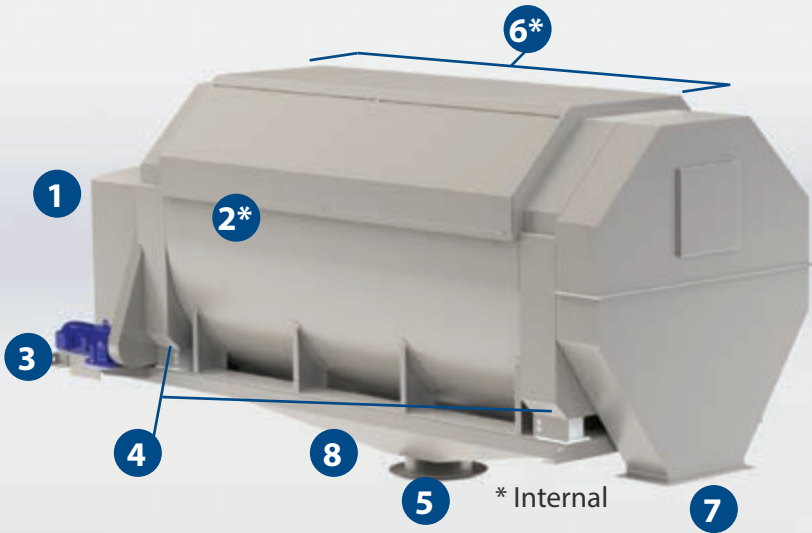
- Its modular design allows the most flexibility to fit a customer's unique needs.
- Screening media and inlet and outlet points can all be easily customized to fit a specific application.

### Applications

- Pulp/Paper White Water Total Effluent Debarking
- Vegetable & Fruit Processing Water
- Seafood Processing
- Meat Processing Plant Effluent
- Petrochemical PVC Recovery
- Poultry Plant Effluent
- Winery Effluent
- Biomass Dewatering



# IFS Screen Operation



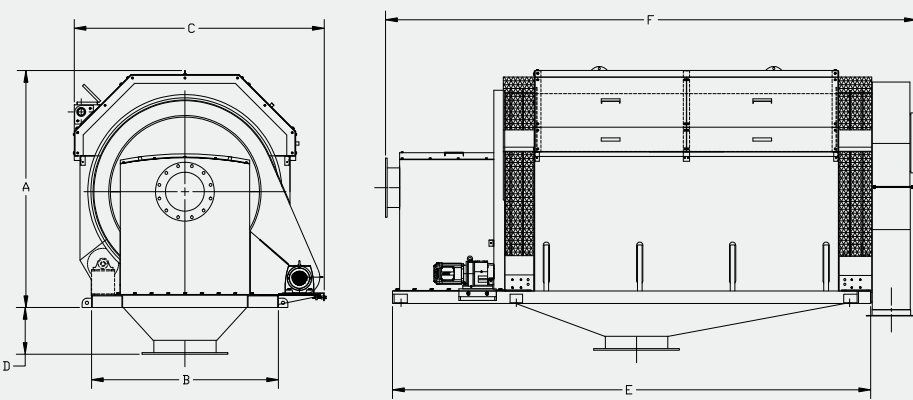
1. Influent Enters Screen
2. Flow dispersed into drum from "Headbox"
3. Screen drum rotated with chain drive
4. Screen drum rotates on trunnion wheels
5. Effluent drains through screen and out bottom
6. External spray bar cleans screen
7. Solids exit screen end by way of continuous flights
8. Fabricated stainless steel base frame

## Standard Construction

- 304 stainless steel construction
- TEFC motor and gear drive
- Modular design
- Corrosion resistant zinc plated roller chain
- UHMW shaft-mounted trunnions
- Internal flights
- External spray bar

## Options

- 316 stainless steel construction
- Support legs & solids chute
- Control panel
- Drainage pan
- Enclosure (Cover)
- Internal spray bar
- Chain oiler



**MODEL CODE** IFS XX XX

Drum Diameter Inches	Drum Length Inches
----------------------	--------------------

IFS Model	Standard Dimensions - inches (mm)						Approximate Net Weight - lbs (kg)
	A	B	C	D	E	F	
IFS2436	32-1/4 (819)	26-3/4 (679)	39 (991)	7 (178)	82 (2083)	94 (2388)	1300 (590)
IFS3672	51 (1295)	36 (914)	53-1/2 (1359)	10 (254)	119 (3023)	132-5/8 (3369)	2500 (1134)
IFS4872	62-5/8 (1591)	48 (1219)	66 (1676)	12 (305)	119 (3023)	134 (3404)	3000 (1361)
IFS4896	62-5/8 (1591)	48 (1219)	66 (1676)	12 (305)	143 (3632)	158 (4013)	3600 (1633)
IFS6096	76 (1930)	60 (1524)	80 (2032)	15 (381)	153-1/2 (3899)	170-3/4 (4337)	4500 (2041)
IFS60120	76 (1930)	60 (1524)	80 (2032)	15 (381)	182 (4623)	199 (5055)	5500 (2495)
IFS72144	93 (2362)	72 (1829)	92 (2337)	22 (559)	224 (5690)	229 (5817)	7800 (3538)
IFS80180	98 (2489)	76-1/2 (1943)	102 (2591)	36 (914)	267 (6782)	272 (6909)	9400 (4264)

This chart is only to be used as a guide. For specific sizing inquiries please contact JWC Environmental.



**Headquarters**  
 2850 Red Hill Ave., Suite 125  
 Santa Ana, CA 92705 USA  
 toll free: 800.331.2277  
 phone: 949.833.3888  
 fax: 949.833.8858  
 email: [jwce@jwce.com](mailto:jwce@jwce.com)

[www.jwce.com](http://www.jwce.com)

