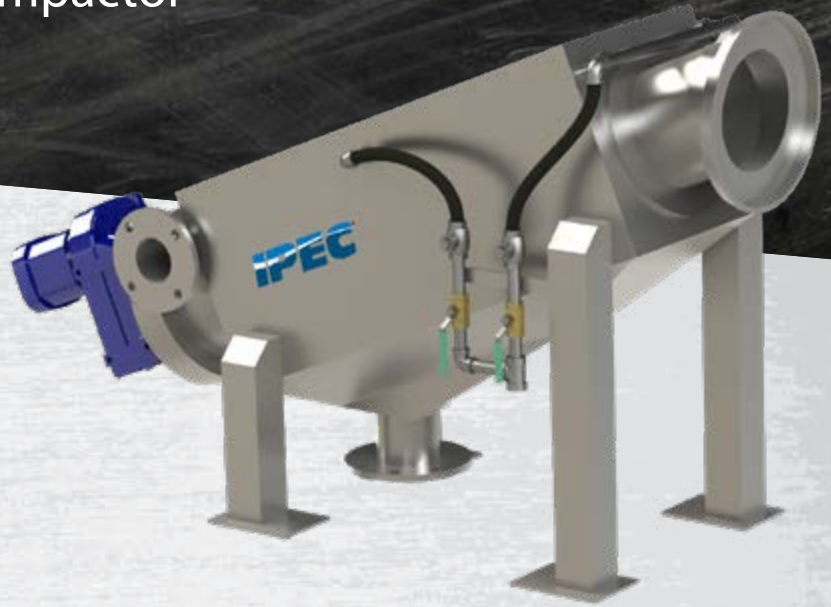


## SLB Series Screenings Conveyor/Compactor



The SLB Series sewage screen meets the needs of small WWTP systems in treatment of domestic wastewater. The compact unit removes trash solids from primary effluent ahead of the biological process cells. The auger-style screen removes solids down to 780 micron, followed by washing and compacting of solids for land disposal.

The SLB is the ideal screen for rural housing complexes, subdivisions, recreation resorts and exploration/construction sites.

The unit consists of an auger with cleaning brushes attached along the rim, a fixed-screen cylinder of perforated plate, a structured wedgewire element for extraction of pressate, an automatically operated cleaning shower, a solids discharge spout, and a mechanical geardrive and motor.

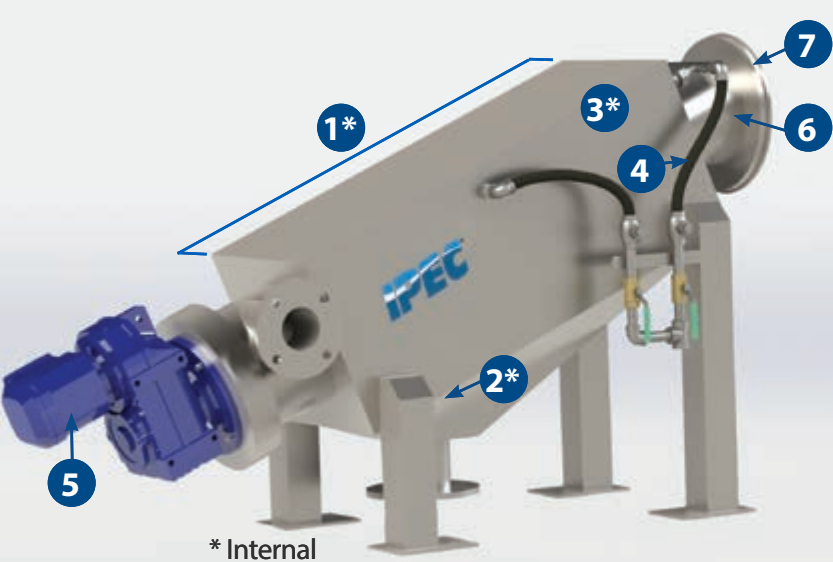
during the compaction process. The final discharge solids exit in plug form to a disposal bin. Filtrate and wash water collect in the bottom of the housing and drain by gravity to the downstream treatment process.

### Method of Operation

The unit is sized to accept effluent directly from small sewage pumps (max 2" solids (max 50 mm solids)).

Influent is pumped to an inlet fitting which directs flow to the screen cylinder. Solids are retained on the interior of the cylinder and are transported axially by the auger. Solids are allowed to accumulate in the press-zone cylinder where a series of shower nozzles are directed to wash organic components

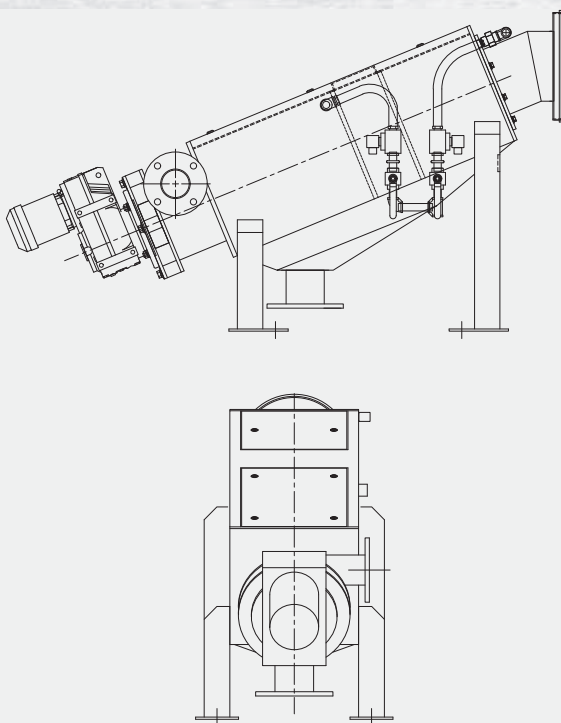




\* Internal

## SLB Details

1. Auger
2. Perforated plate screen
3. Wedgewire element
4. Automatic cleaning shower
5. Mechanical geardrive and motor
6. Solids discharge spout
7. Optional solids bagger



## Features

- 304 stainless steel construction
- Open solids discharge section
- Shaft-mounted, TEFC, geardrive motor

## Options

- Available as "Low Profile (LP)" unit to better fit in confined spaces
- 316 stainless steel construction
- Control panel
- Optional compressed solids bagger, fitted with individual bags

SLB Series Press Capabilities - gpm (m<sup>3</sup>/hr)

Perforated Plate Opening	SLB 636 LP - Flow	SLB 636 - Flow	SLB 848 - Flow
6mm	170 (39)	190 (43)	300 (68)
3mm	150 (34)	160 (36)	250 (57)
2mm	120 (27)	130 (30)	225 (51)
1.5mm	100 (23)	110 (25)	150 (34)
780µm	45 (10)	50 (11)	90 (20)

This chart is to be used only as a guide. The capacity of the SLB may vary due to characteristics of the solids material.  
All data based on pumped flow.

## Application:

The maximum flow for the SLB Series of screens is designed around the traditional 2 or 3 inch (50 to 75 mm) wastewater pump. The Capabilities table depicts the maximum domestic municipal effluent flow rate for each screen.



**Headquarters**  
 2850 Red Hill Ave., Suite 125  
 Santa Ana, CA 92705 USA  
 toll free: 800.331.2277  
 phone: 949.833.3888  
 fax: 949.833.8858  
 email: [jwce@jwce.com](mailto:jwce@jwce.com)

[www.jwce.com](http://www.jwce.com)

